

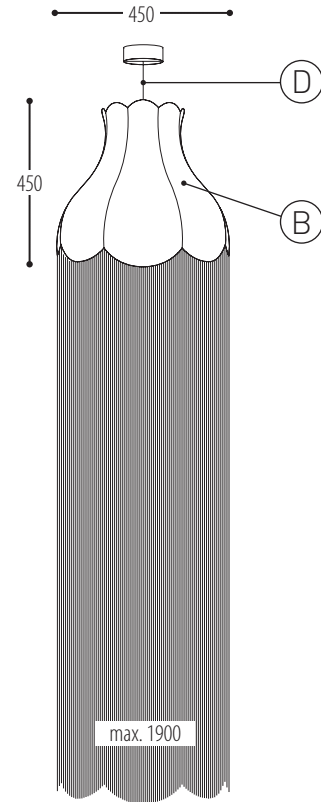
FRANJE

SUSPENSION WALL FLOOR TABLE

design Marcel Reulen for Dark



www.pinterest.com/pindark/franje-dark



171-BB-001-DD

Fabric Metal



BB		CCC			DD	
COLORS FABRIC flame retardant		TYPE			SUSP. CABLE	
02	Black	001	E27	1x OA60 (MAX 42 W)	02	2,5 m
03	White			1x TCA-SE (MAX 11 W)		
				1x LED (MAX 12 W)		



Dark at night nv, Vliegplein 43 - 9991 Maldegem - Belgium - T +32(0)50/71.81.40 - F +32(0)50/71.81.38 - E info@dark.be

Dark has the right to change any technical data, dimensions, colors and characteristics without prior notice - All rights reserved
Any reproduction of the Dark products is strictly forbidden and can seriously damage your health and endanger your bank account.

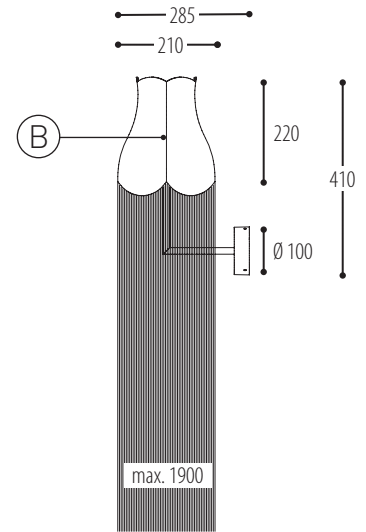
FRANJE WALL

SUSPENSION WALL FLOOR TABLE

design Marcel Reulen for Dark



www.pinterest.com/pindark/franje-dark



174-BB-005-00

Fabric Metal



BB		CCC			
COLORS FABRIC flame retardant		TYPE			
02	Black	005	E14	1x QD45 (MAX 38 W) 1x TCD-SE (MAX 11 W) 1x LED (MAX 12 W)	
03	White				



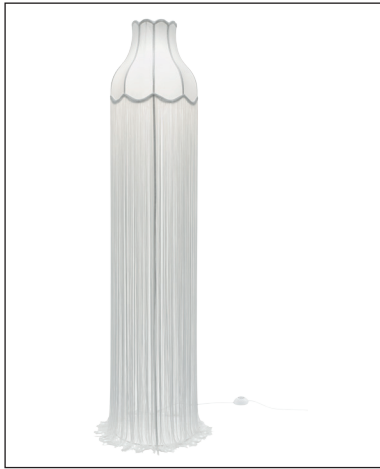
Dark at night nv, Vliegplein 43 - 9991 Maldegem - Belgium - T +32(0)50/71.81.40 - F +32(0)50/71.81.38 - E info@dark.be

Dark has the right to change any technical data, dimensions, colors and characteristics without prior notice - All rights reserved
 Any reproduction of the Dark products is strictly forbidden and can seriously damage your health and endanger your bank account.

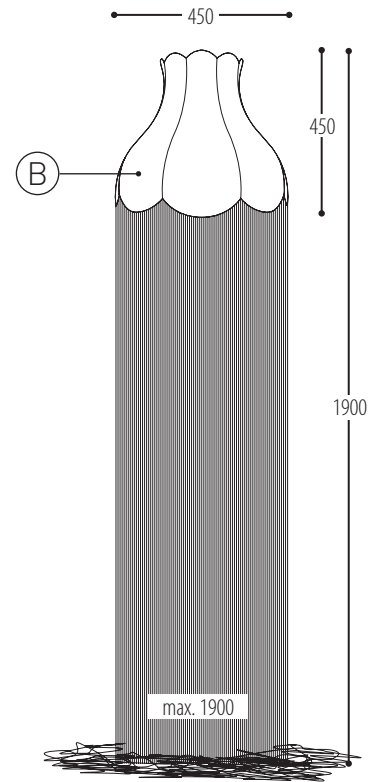
FRANJE FLOOR

SUSPENSION WALL **FLOOR** TABLE

design Marcel Reulen for Dark



www.pinterest.com/pindark/franje-dark



170-BB-001-00

Fabric | Metal



BB		CCC		
COLORS FABRIC flame retardant		TYPE		
02	Black	001	E27	1x OA60 (MAX 42 W)
03	White			1x TCA-SE (MAX 11 W)
				1x LED (MAX 12 W)



Dark at night nv, Vliegplein 43 - 9991 Maldegem - Belgium - T +32(0)50/71.81.40 - F +32(0)50/71.81.38 - E info@dark.be

Dark has the right to change any technical data, dimensions, colors and characteristics without prior notice - All rights reserved
Any reproduction of the Dark products is strictly forbidden and can seriously damage your health and endanger your bank account.

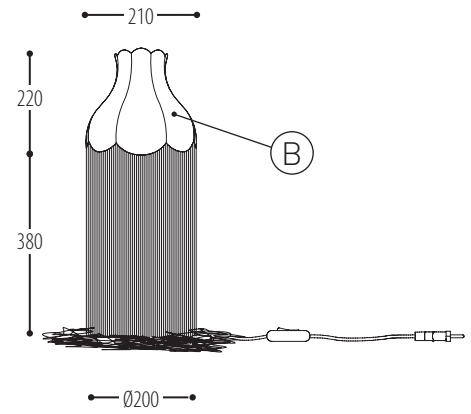
FRANJE TABLE

SUSPENSION WALL FLOOR **TABLE**

design Marcel Reulen for Dark



www.pinterest.com/pindark/franje-dark



173-BB-005-00

Fabric | Metal



BB		CCC	
COLORS FABRIC flame retardant		TYPE	
02	Black	005	1x QD45 (MAX 38 W)
03	White		1x TCD-SE (MAX 11 W)
			1x LED (MAX 12 W)
		E14	



Dark at night nv, Vliegplein 43 - 9991 Maldegem - Belgium - T +32(0)50/71.81.40 - F +32(0)50/71.81.38 - E info@dark.be

Dark has the right to change any technical data, dimensions, colors and characteristics without prior notice - All rights reserved
Any reproduction of the Dark products is strictly forbidden and can seriously damage your health and endanger your bank account.