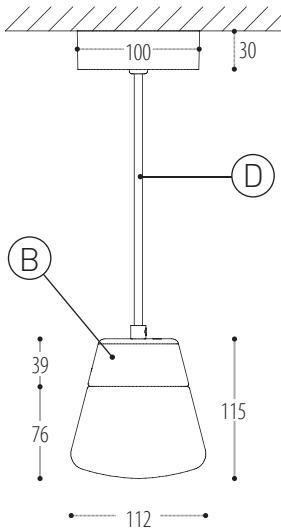




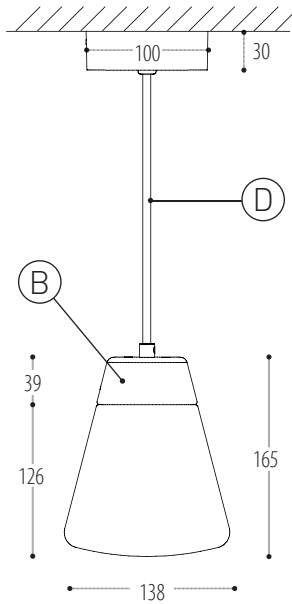
# CUP CAKE S

SUSPENSION CEILING  
248-251

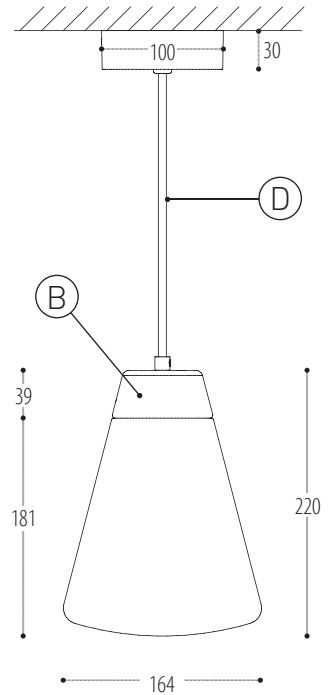
design Susanne Uerlings for Dark



CUP CAKE Suzy S  
**1065-BB(B)-804002-DD**



CUP CAKE Jenny S  
**1066-BB(B)-804002-DD**



CUP CAKE Kathy S  
**1067-BB(B)-804002-DD**

Glass | Alu



BB(B)	EFF	GG	H	DD
COLORS	CRI • LUMENOUTPUT	REFLECTOR	COLOR TEMP.	SUSP. CABLE
02  Black	LED 804 >80 CRI • 400 Lm / 6W	00 N.A.	2 2700 K	01 1.5 m
03  White				02 2.5 m
68  Copper paint				
112  Gold paint				
110  Brass				

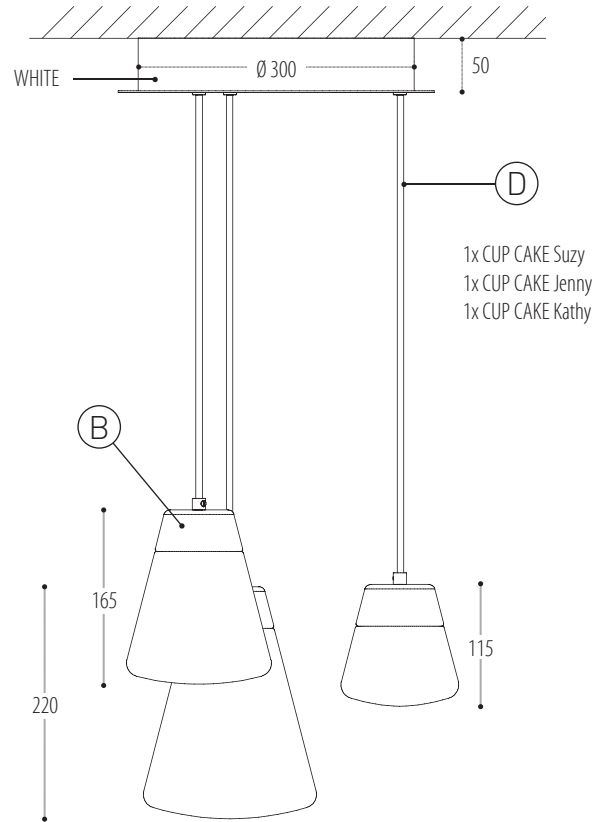
# CUP CAKE CLUB 3

SUSPENSION CEILING  
248-251

design Susanne Uerlings for Dark



[www.pinterest.com/pindark/cup-cake-dark](https://www.pinterest.com/pindark/cup-cake-dark)



1070-BB(B)-804002-DD

Glass | Alu



BB(B)		EFF			GG		H		DD	
COLORS		CRI • LUMENOUTPUT			REFLECTOR		COLOR TEMP.		SUSP. CABLE	
02	Black	LED	804	3x >80 CRI • 400 Lm / 6W	00	N.A.	2	2700 K	01	1,5 m
03	White								02	2,5 m
68	Copper paint									
112	Gold paint									
110	Brass									

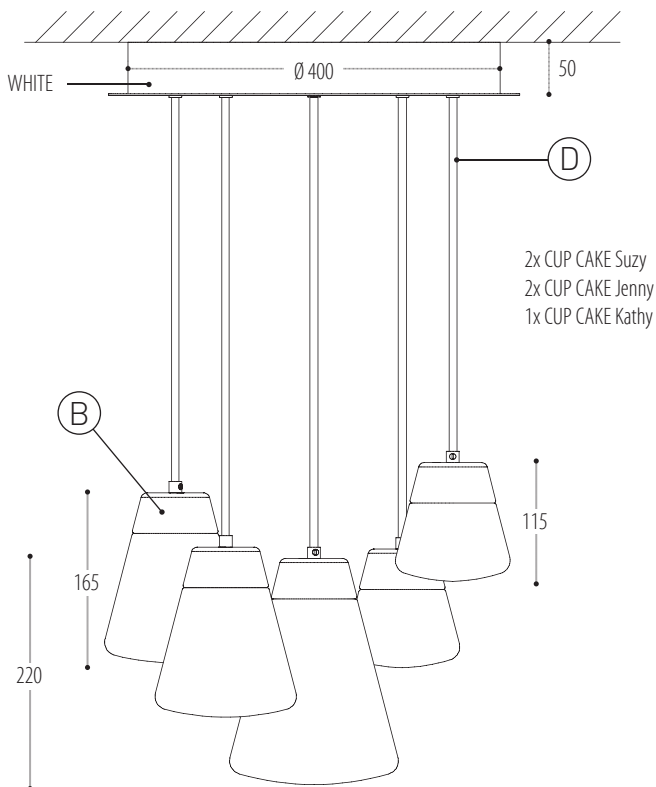
# CUP CAKE CLUB 5

SUSPENSION CEILING  
248-251

design Susanne Uerlings for Dark

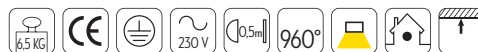


[www.pinterest.com/pindark/cup-cake-dark](https://www.pinterest.com/pindark/cup-cake-dark)



1071-BB(B)-804002-DD

Glass | Alu



BB(B)		EFF			GG	H		DD		
COLORS		CRI • LUMENOUTPUT			REFLECTOR		COLOR TEMP.		SUSP. CABLE	
02	Black	LED	804	5x >80 CRI • 400 Lm / 6W	00	N.A.	2	2700 K	01	1,5 m
03	White								02	2,5 m
68	Copper paint									
112	Gold paint									
110	Brass									