

CLIPPO EP 14W LED

SPECIFICATIONS

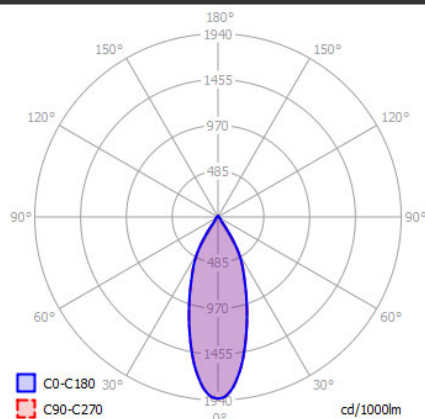
MOUNTING		CEILING RECESSED
POWER	[W]	14
LAMP		built-in LED
LUMINOUS FLUX*	[lm]	1310 / 1375
LIGHT COLOUR	[K]	2700 / 3000
CRI		>90
BEAM ANGLE	[°]	32 (default)
AVERAGE LIFETIME	[h]	L80/B50.000
LUMINOUS EFFICACY	[lm/W]	98
POWER SUPPLY	[V] [A]	500mA CC
LED-DRIVER		NOT INCLUDED
DIMMING		SEE DRIVER
THROUGH-WIRING		SEE DRIVER
MATERIAL		ALUMINIUM
INGRESS PROTECTION		IP20
PROTECTION CLASS		III
NET WEIGHT	[kg]	0,57
GROSS WEIGHT	[kg]	0,60
COLOUR (HOUSING)		WHITE ~RAL9003
COLOUR (HOUSING)		BLACK ~RAL9005
CUT-OUT	[mm]	Ø90
RECESSED DEPTH (H)	[mm]	45

*Luminous flux values are nominal LED data at a operating temperature of 25° C



LIGHT DISTRIBUTION

32°



OPTIONS / OPTIONAL ACCESSORIES

REFLECTOR	[°]	15 / 48
LENS	[°]	18
HONEY COMB LOUVER		BLACK
ANTI GLARE RING		GOLD



Colours



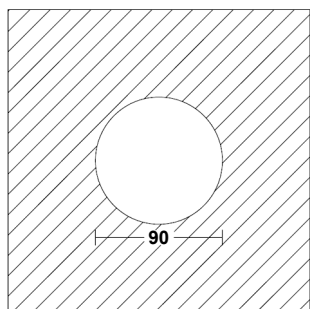
white/white

white/gold

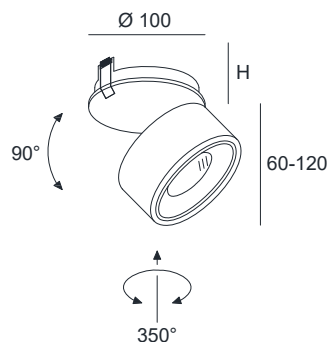
black/black

black/gold

CUT OUT DIMENSIONS



FIXTURE DIMENSIONS



CRI > 90



IP20

DLS LIGHTING

www.dslighting.com

*DLS
LIGHTING