

CLIPPO OPTIC DUO P3

SPECIFICATIONS

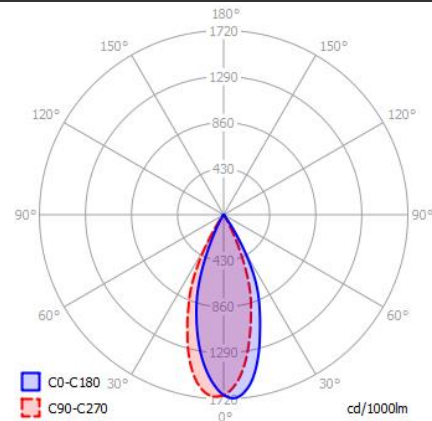
MOUNTING		TRACK
POWER	[W]	2x10,5
LAMP		built-in LED
LUMINOUS FLUX*	[lm]	2x35-1240
LIGHT COLOUR	[K]	1800-3000
CRI		>90
BEAM ANGLE	[°]	35 (default)
AVERAGE LIFETIME	[h]	L80/B50.000
LUMINOUS EFFICACY	[lm/W]	118
POWER SUPPLY	[V] [A]	220-240V AC 50/60 Hz
LED-DRIVER		INCLUDED
DIMMING		PHASE DIM
THROUGH-WIRING		-
MATERIAL		ALUMINUM
INGRESS PROTECTION		IP20
PROTECTION CLASS		I
NET WEIGHT	[kg]	1,75
GROSS WEIGHT	[kg]	1,80
COLOUR (HOUSING)		WHITE ~RAL9003
COLOUR (HOUSING)		BLACK ~RAL9005

*Luminous flux values are nominal LED data at a operating temperature of 25° C



LIGHT DISTRIBUTION

35°



OPTIONS / OPTIONAL ACCESSORIES

REFLECTOR	[°]	24 / 50
ACCENT RING		GOLD



white/white



white/gold



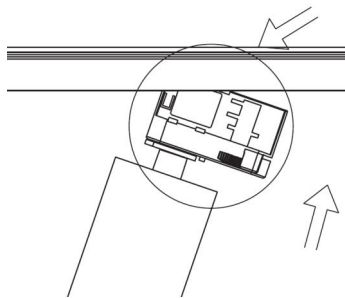
black/black



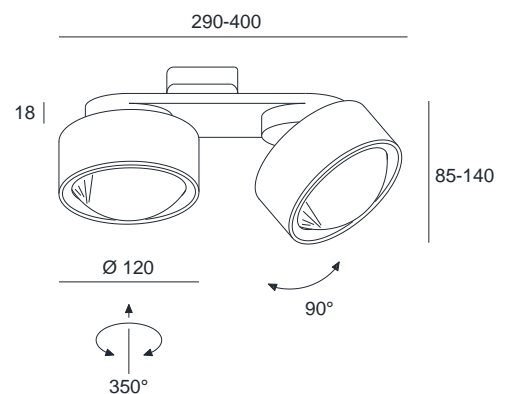
black/gold



TRACK MOUNTING



FIXTURE DIMENSIONS



DLS LIGHTING

www.dslighting.com

***DLS**
LIGHTING