

# ZOOM XL P3

## SPECIFICATIONS

MOUNTING		TRACK	
POWER	[W]	10	
LAMP		built-in LED	
LUMINOUS FLUX*	[lm]	550	
LIGHT COLOUR	[K]	3000	
CRI		>95	
BEAM ANGLE	[°]	15-60	
AVERAGE LIFETIME	[h]	L80/B50.000	
LUMINOUS EFFICACY	[lm/W]	134	
POWER SUPPLY	[V] [A]	220-240V AC 50/60 Hz	
LED-DRIVER		INCLUDED	
DIMMING		NO	
THROUGH-WIRING		-	
MATERIAL		BRASS	
INGRESS PROTECTION		IP20	
PROTECTION CLASS		I	
NET WEIGHT	[kg]	0,45	
GROSS WEIGHT	[kg]	0,46	
COLOUR (HOUSING)		WHITE ~RAL9003	n/a
COLOUR (HOUSING)		BLACK ~RAL9005	



## LIGHT DISTRIBUTION

n/a

\*Luminous flux values are nominal LED data at a operating temperature of 25° C

## OPTIONS / OPTIONAL ACCESSORIES

2700K and 4000K LED on request

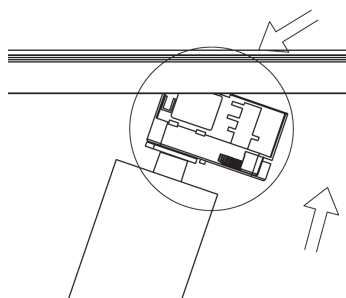
## Colours



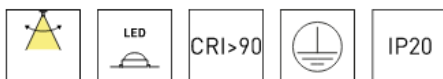
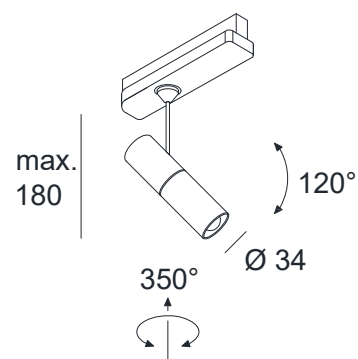
white

black

## TRACK MOUNTING



## FIXTURE DIMENSIONS



DLS LIGHTING

www.dslighting.com

**\*DLS**  
LIGHTING