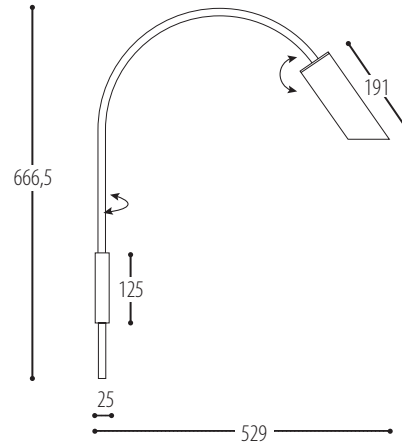


WALLSTER JR.

WALL

design Anthony Boelaert for Dark



www.pinterest.com/pindark/wallster-dark

1120-BB-80600H-K

Metal | Alu



BB		EFF		GG	H		K		
COLORS		CRI • LUMENOUTPUT		REFLECTOR	COLOR TEMP.		DRIVER		
02	Black	LED	806 >85 CRI • 600 Lm / 350 mA / 6,4 W	00	N.A.	2	2700 K	0	incl./non dim
03	White					3	3000 K	1	excl.
						4	4000 K	2	Dim 1-10 V (extern)
								3	Dali (extern)